



KENORA™

PANEL / TROFFER



Beyond LED's newest KENORA architectural recessed troffer offers subtle, clean geometry in a fully luminous door-frame design. This contemporary, high quality luminaire provides superior visual comfort and is dedicated to the latest solid-state lighting and driver technology for optimal performance and energy efficiency. Available in 2x2' & 2x4' KENORA delivers stylish design and clear illumination to commercial, hospitality offices and restaurants.

Product Features

- Up to 125 Lumens per watt
- Input Voltage 120-277Vac
- Wattage Adjustable
- CCT Adjustable 3500K / 4000K / 5000K
- 0-10 Dimmable
- Architectural quality design and construction
- Fully luminous center panel
- Suitable for all standard 2x2' & 2x4' grid ceilings
- Optional hanging mount & Surface mounting kit
- UL Listed
- 5 Years warranty

KENORA™

PANEL / TROFFER



SKU #	Model #	Wattage Adjustable	Lumens	CCT Adjustable	Length	Housing	Input Voltage	Certifications
156658	BLT-10B-22/30/25/20/YDM/CCT(A3+B7)	20W/25W/30W	3750Lm	3500K/4K/5K	2x2'	White	120V-277V	UL & DLC
156659	BLT-10B-24/46/40/35/YDM/CCT(A3+B7)	35W/40W/46W	5750Lm	3500K/4K/5K	2x4'	White	120V-277V	UL & DLC

SKU #. 156658 Specifications

Parameter	Description	Value
General Performance	Model #	BLT-10B-22/30/25/20/YDM/CCT(A3+B7)
	Wattage Adjustable	20W / 25W / 30W
	Lumen	3750Lm
	Lumen Efficacy	Up to 125LM/W
	Color Temperature	3500K/4000K/5000K
	CRI (Ra)	>80
	Beam Angle	110° Degree
	Diffuser Type	Frosted Polystyrene
	Flickering	30%
Electrical	Input Voltage	120-277Vac
	Frequency	50/60Hz
	Dimming	0-10V
	Power Factor	>0.9
	Operating Temperature	-20°C - 50°C
Physical	Operating Humidity	Damp Location
	Storage Temperature	-20°C - 50°C
	Storage Humidity	Damp Location
	LED Brand	Bridgelux
	LED Type	SMT
	Housing	Steel sheet and extruded aluminum
	Housing Color	White
Qualification	IP Rating	IP20
	Warranty	5 Years warranty



KENORA™

PANEL / TROFFER

SKU #. 156659

Specifications

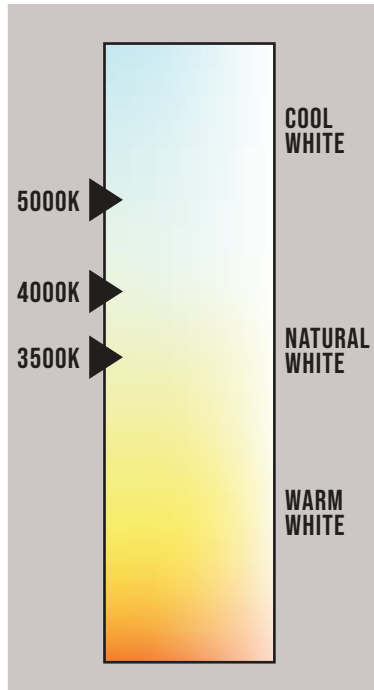
Parameter	Description	Value
General Performance	Model #	BLT-10B-24/46/40/35/YDM/CCT(A3+B7)
	Wattage Adjustable	35W / 40W / 46W
	Lumen	5750Lm
	Lumen Efficacy	Up to 125LM/W
	Color Temperature	3500K/4000K/5000K
	CRI (Ra)	>80
	Beam Angle	110° Degree
	Diffuser Type	Frosted Polystyrene
Flickering	30%	
Electrical	Input Voltage	120-277Vac
	Frequency	50/60Hz
	Dimming	0-10V
	Power Factor	>0.9
	Operating Temperature	-20°C - 50°C
Physical	Operating Humidity	Damp Location
	Storage Temperature	-20°C - 50°C
	Storage Humidity	Damp Location
	LED Brand	Bridgelux
	LED Type	SMT
	Housing	Steel sheet and extruded aluminum
Housing Color	White	
Qualification	IP Rating	IP20
	Warranty	5 Years warranty

KENORA™

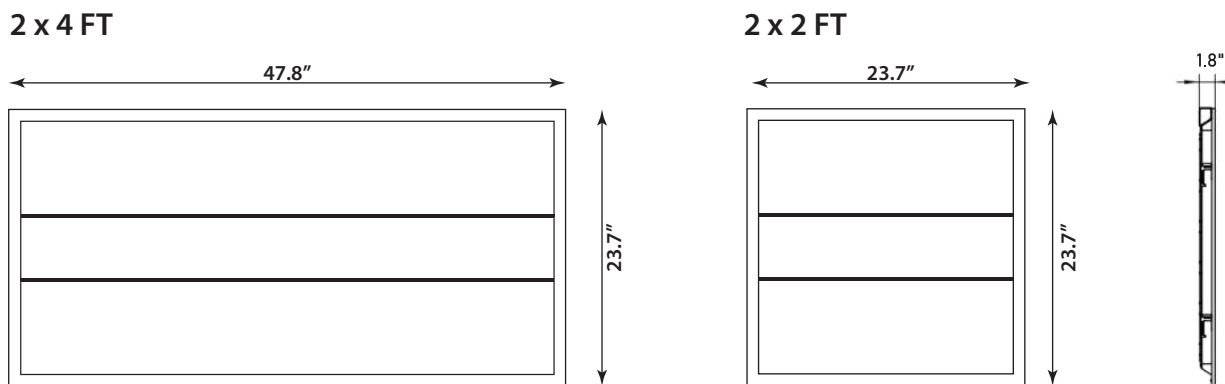
PANEL / TROFFER



Correlated Color Temperature (CCT)



Dimensions



LED CENTER BASKET TROFFERS



KENORA™

PANEL / TROFFER

Installation

⚠ WARNING

- To reduce the risk of death, personal injury or property damage from fire, electric shock, falling parts, cuts/abrasions and other hazards read all warnings and instructions included with and on the fixture box and all fixture labels.
- Before installing, servicing, or performing routine maintenance upon this equipment, follow these general precautions.
- Commercial installation, service and maintenance of luminaires should be performed by a qualified licensed electrician.
- For the installation: If you are unsure about the installation or maintenance of the luminaires, consult a qualified licensed electrician and check your local electrical code.
- To prevent wiring damage or abrasion, do not expose wiring to edges of sheet metal or other sharp objects.
- Do not make or alter any open holes in an enclosure of wiring or electrical components during kit installation.

⚠ WARNING

- Turn off electrical power at fuse or circuit breaker box before wiring fixture to the power supply.
- Turn off the power when you perform any maintenance.
- Verify that supply voltage is correct by comparing it with the luminaire label information.
- All wiring connections should be capped with UL approved wire connectors.

⚠ CAUTION

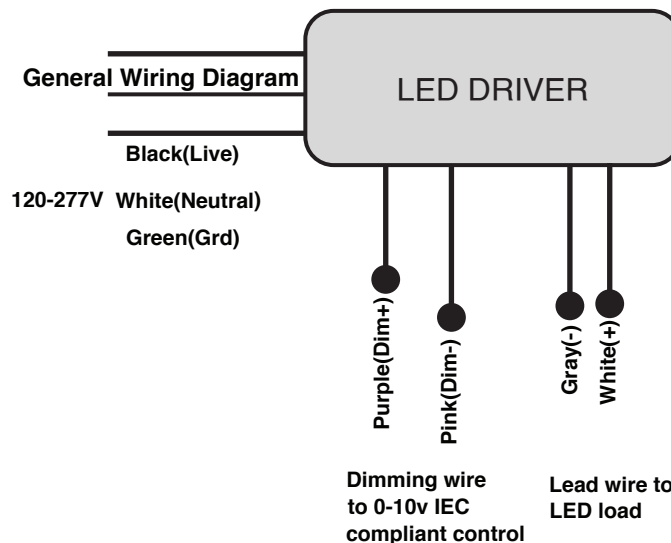
- Avoid direct eye exposure to the light source while it is on.
- Account for small parts and destroy packing material, as these may be hazardous to children.
- Risk of burn. Disconnect power and allow fixture to cool before changing bulb or handling fixture.

NOTICE: Green ground screw provided in proper location. Do not relocate.

NOTICE: Minimum 90° supply conductors.

NOTICE: Specifications and dimensions subject to change without notice.

NOTICE: Suitable for Dry or Damp location, Type IC



KENORA™

PANEL / TROFFER



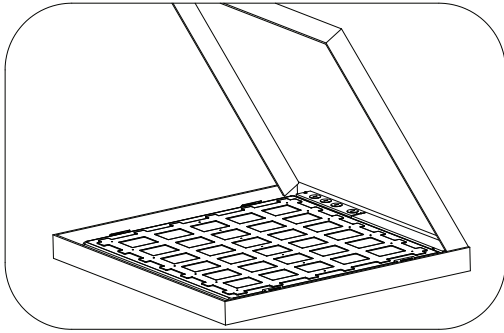
Installation

INSTRUCTIONS:

Always turn off the power supply from main circuit breaker first!

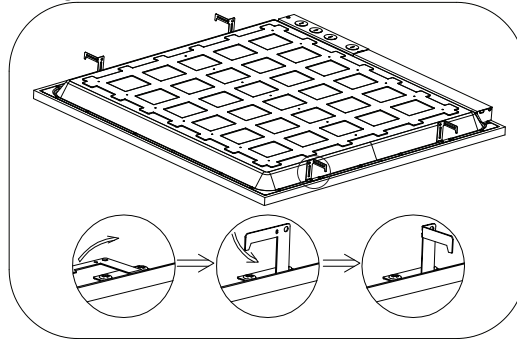
• Recessed Mounting

Figure 1



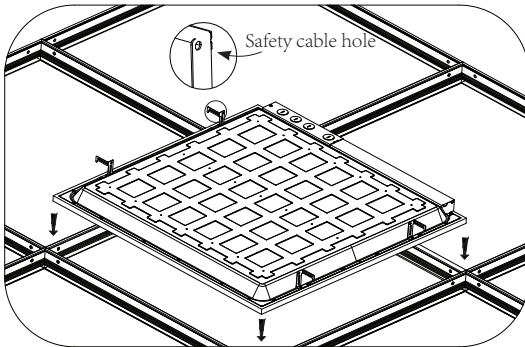
Carefully unpack unit and properly inspect for defects before installing. Wear work gloves to prevent dirt and oil from being transferred to the luminaire. If cleaning is needed, use gloves and a dry cottoncloth. It is not recommended to use hazardous chemicals.

Figure 2



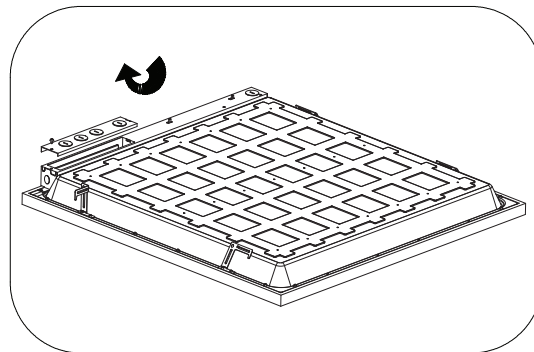
Lift up four mounting clips on the sides of the luminaire. You can do it by hand (Do wear work gloves) or use pliers

Figure 3



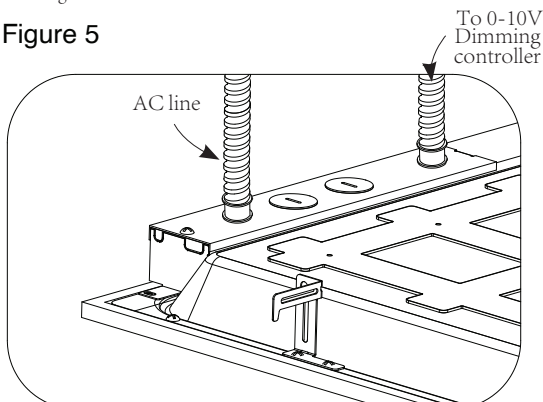
Insert luminaire into T-bar ceiling grid. Secure safety cable to connection hole as needed to meet local seismic requirements. Safety cable and method of attachment to the building provided by contractor according to local building codes.

Figure 4



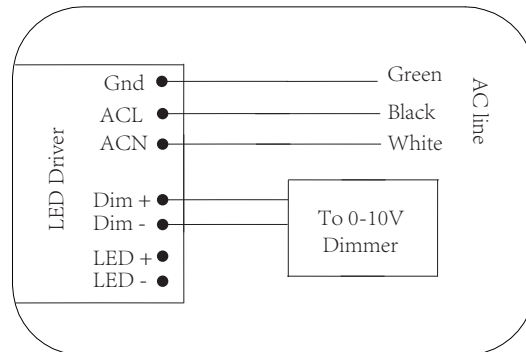
Remove electrical enclosure cover. Carefully remove knockout for AC line input wires and 0-10V control line. Install listed electrical fittings in the knockout holes for wire protection if needed.

Figure 5



Plug in AC line(L and N, and GND) to the LED Driver using 18-14AWG Wire. When connecting 0-10V dimming controller, wires must run through a separate knockout hole equipped with an appropriate electrical fitting.

Figure 6



Follow wire connection instructions. When using the 0-10V dimming controller Run wires from controller through a different knockout than the AC input wire. Don't forget to return the electrical enclosure cover and tighten the screws.



KENORA™

PANEL / TROFFER

Installation

Cable Suspended Mounting

Figure 1

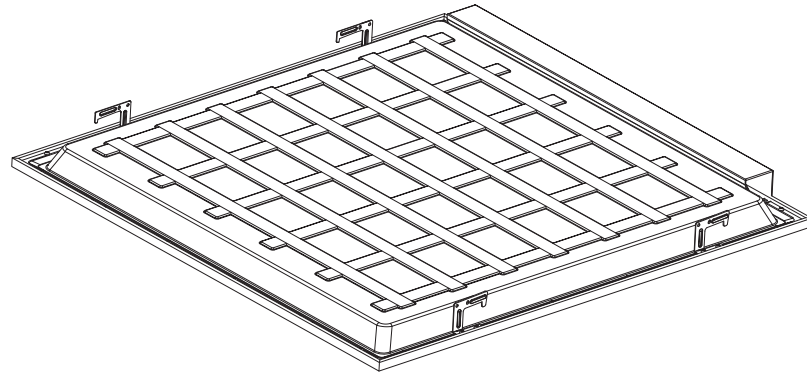
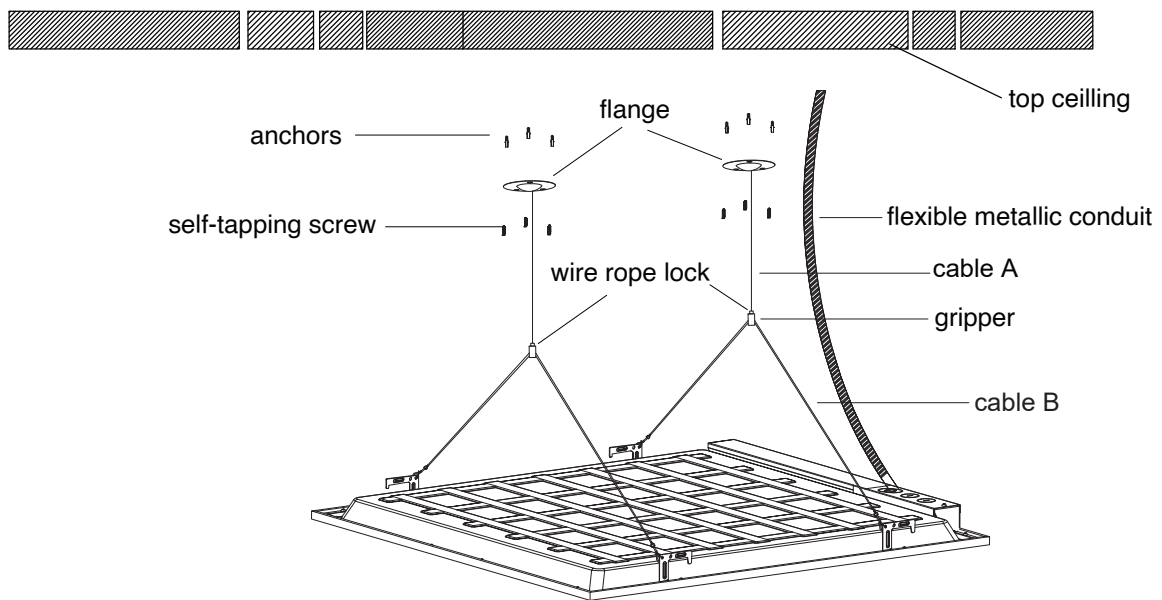


Figure 2



Installation Steps:

- Step 1: Pull the sleeve on the end of cable A through the provided flange and make sure the end cap positioned in the flange. Fix the flanges onto the ceiling with the self-tapping screws.
- Step 2: Insert the end of cable A into the wire rope gripper attached on the cable B, then adjust the cable A to be desired height by pressing the wire rope lock and adjust the cable B to the desired angle.
- Step 3: Hook the luminaire up to the swivel lobster clasp attached to the two ends of cable B and make a final adjustments.
- Step 4: Connect LED driver to AC mains power.

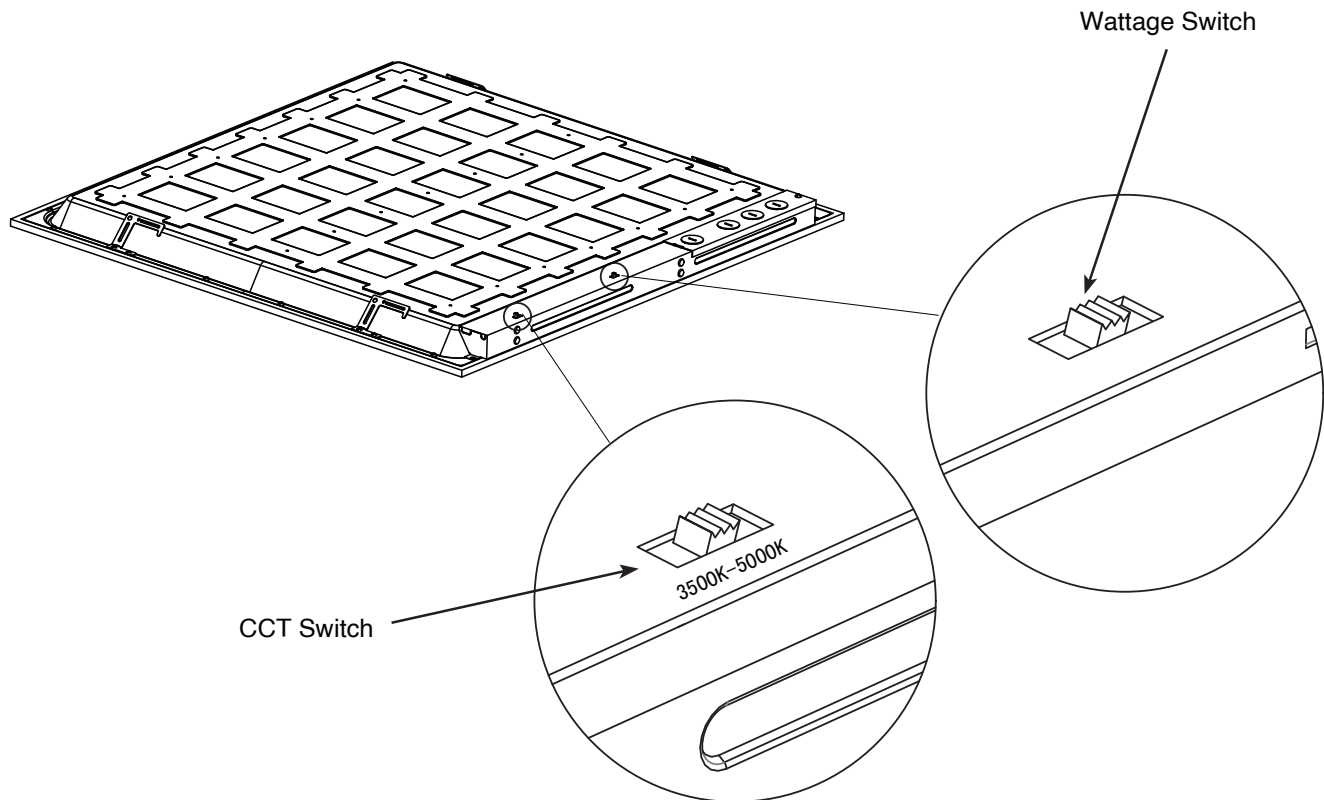
KENORA™

PANEL / TROFFER



Installation

Field-Adjustable Wattage & CCT



The end users may adjust the color temperature and lumen output respectively by the two DIP switch buttons integrated into the driver. Each DIP switch is accommodated with 3 options (left, middle and right), corresponding to 3 color temperatures and 3 powers respectively, which can perform the desired color temperature and lumen output combination.

1. DIP switches are located onto the drive box.
2. Select a wattage and color temperature by sliding switch left or right respectively to the desired value.



KENORA™

PANEL / TROFFER

Packaging

SKU #.	Carton Size (Inches)	Size	Qty.	Net Weight	Gross Weight
156658	25.47 x 7.28 x 25.78	2 x2 FT	4 Pcs/Box	20.28 LBS	22.49 LBS
156659	49.48 x 7.28 x 25.78	2 x4 FT	4 Pcs/Box	36.16 LBS	39.02 LBS

Application Image



KENORA™

PANEL / TROFFER



Application Image



LED CENTER BASKET TROFFERS

Warranty

5 Year Warranty